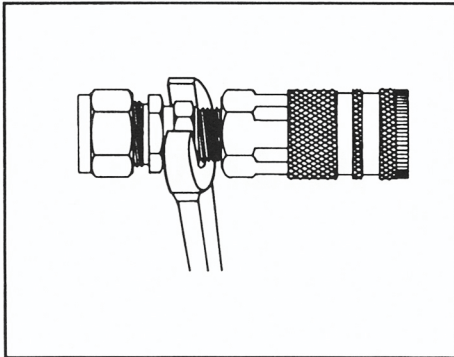
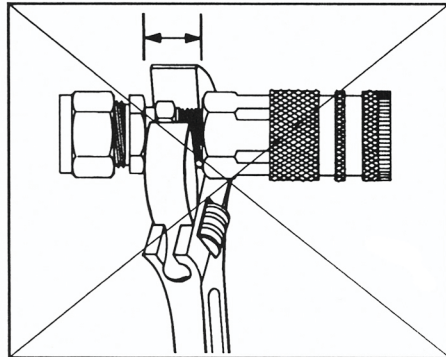


Swivel Fitting Installation Notice



CORRECT



INCORRECT



WARNING: Do not overtighten and use only a 9/16" open end wrench to hold the 1/4" NPT swivel fitting during installation. As the connection is tightened, an oversized wrench (eg: adjustable or crescent types) can become "pinned" between the fitting body hex and the component the assembly is being connected to. This has a prying effect which can force the swivel portion away from the fitting body. Since brass is a soft metal, overtightening with an oversized wrench could cause the swivel to push right through the flare. When pressurized, the fitting may then blow apart, creating a potentially dangerous situation.